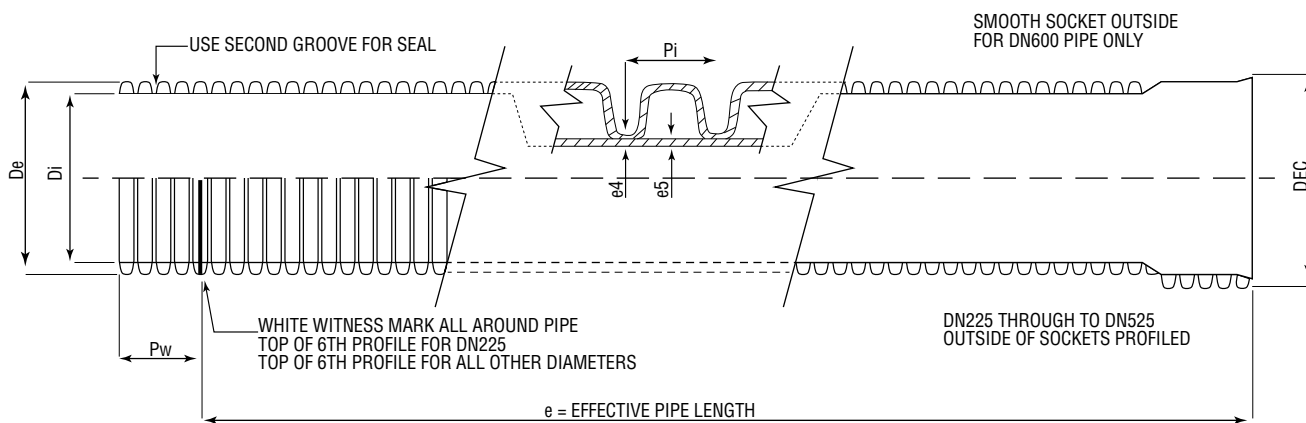


BLACKMAX® POLYPROPYLENE PIPES AND FITTINGS

PIPE DIMENSIONS



NOMINAL DIAMETER DN (mm)	MEAN PIPE OUTSIDE DIAMETER De (mm)	MEAN PIPE INTERNAL DIAMETER Di (mm)	MAXIMUM OVERALL SOCKET DIAMETER DEC (mm)	WITNESS MARK LENGTH SOCKET INSERT LENGTH PW (mm)	PROFILE PITCH Pi (mm)	MINIMUM WATERWAY THICKNESS e4 (mm)	MINIMUM WATERWAY THICKNESS e5 (mm)	APPROX. PIPE MASS (kg/m)	BLACKMAX® DRAINAGE PIPES (6M NOMINAL LENGTHS)
225	259	225	300	135	24.9	1.7	1.4	4	6010
300	344	300	400	147	33.2	2.0	1.7	7	6020
375	428	373	500	176	39.8	2.4	2.1	11	6025
450	514	447	595	222	49.8	2.8	2.8	14	6030
525	600	522	705	254	56.9	3.2	3.2	19	6015
600	682	596	725	296	66.4	3.5	3.5	25	5910

NOTE:

- Standard nominal effective lengths in all diameters are L=6 metres.
- All diameters except for DN 600 are supplied with ribbed sockets.
- Waterway thicknesses are as per AS/NZs 5065 for BlackMAX®

The information contained in this document should serve as a guide only and is subject to change without notice. For more information please contact Iplex Pipelines Australia Pty Ltd.

