



AVK UNIVERSAL STRAIGHT COUPLING PN16

601

Long, Ductile Iron

Universal straight couplings PN16
For Cast Iron, Ductile Iron, Steel, PVC-U, PVC-M, PVC-O, AC and copper pipes

Use:

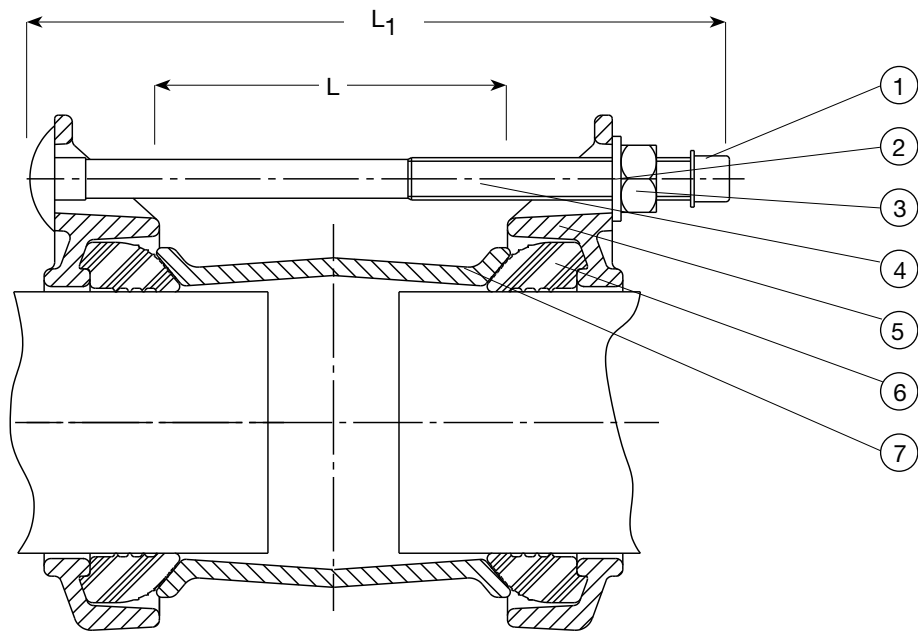
- For water and sewage applications to max. 40°C
- Angular deflection of ± 4 degrees (total 8 degrees)
- 16 bar / 160 metres allowable operating pressure (AOP)
- Non tensile
- This product provides no longitudinal joint restraint

Standards and Approvals:

- All materials are AS/NZS 4020 compliant
- Fully conforming to AS/NZS 4998:2009 bolted unrestrained mechanical couplings for waterworks purposes
- DN80 to DN225 Standards Mark Licence SMK40397 to AS 4998:2009



Expect... **AVK**



Component list

1. End cap	PVC
2. Washers	Stainless Steel 316
3. Nuts	316 Stainless Steel, PTFE coated
4. Bolts	316 Stainless Steel, PTFE coated
5. Bracket	DI to AS 1831
6. Rubber Seal	EPDM to AS 1646, AS/NZS 4020 Compliant
7. Barrel	Ductile Iron or 316 Stainless Steel
	* Ductile Iron FBE coated to AS 4158

Components can be substituted with equivalent or higher class materials.

Reference nos. and dimensions

AVK ref. nos.	DN mm	Barrel material	L mm	L1 mm	Sealing Range mm	Bolts	Theoretic weight kg
601-350001-4312	300	Ductile Iron	215	305	324-350	6	27.05
601-436001-4312	400	Ductile Iron	215	305	410-436	8	33.2