



AVK GATE VALVE PN16 WITH DN100 BYPASS

55/34

To DIN 3350 part 4 / BS 5163 Type B. Stem sealing exchangeable under pressure
Face to face dimension to EN 558-1: 1991 / DIN 3202 part 1, F5
Flange drilling to AS 4087 Fig B5. Gland flange to ISO 5210: 1991

Use:

- For water, sewage and neutral liquid applications
- Valve designed for use up to 70°C
- Where applicable; for AS 4020 compliance, max temp = 40°C
Note: Always observe pipe material recommended operating temperatures

Tests:

- Hydraulic test to AS 2638.2:
 - Seat: 17.6 bar
 - Body: 24 bar
 - Operating torque test

Optional Extras:

- Stem cap
- Gearbox with stem cap
- Gearbox with handwheel
- Electric Actuator
- User specified flange drilling
- Without bypass arrangement (i.e. blanked off)
- With DN80 valve in bypass arrangement



Quality
ISO 9001

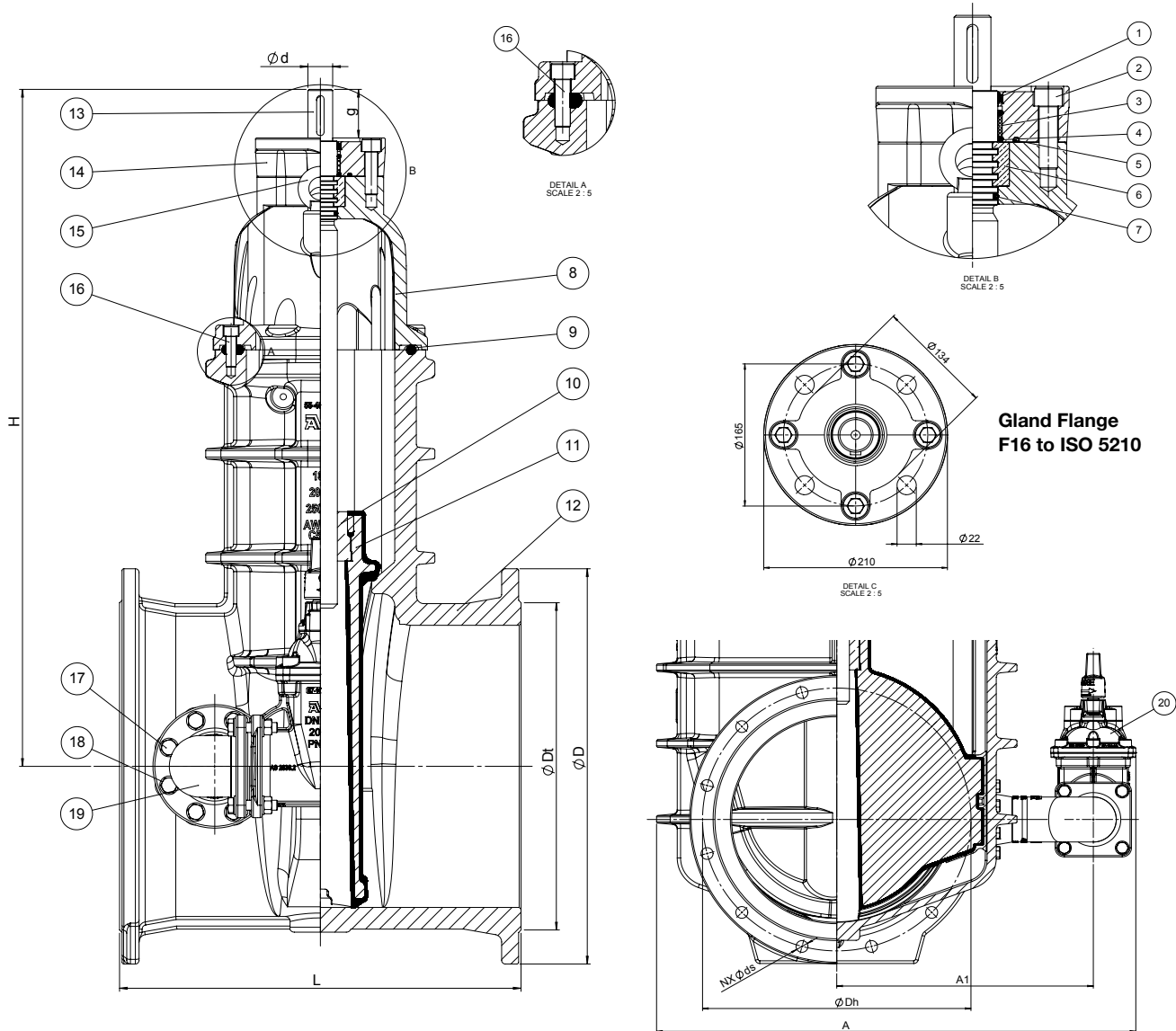


Health & Safety
AS 4801



Environment
ISO 14001





Component list

1. Wiper Ring	NBR	11. Wedge	Ductile Iron, grade 500-7, core fully vulcanised with EPDM rubber
2. Gland flange bolt	Grade 8.8 fully encapsulated with hot melt glue	12. Body	Ductile Iron, grade 500-7 to AS 1831
3. Bearing	Polyamid	13. Stem	Stainless Steel 431
4. Stem seal O-ring	NBR	14. Gland flange	Ductile Iron, grade 500-7 to AS 1831
5. Gland flange O-ring	NBR rubber	15. Lifting eye	Zinc plated steel
6. Thrust collar	Dezincification resistant brass, CZ 132 to AS 2345	16. Bonnet bolt	Grade 8.8 fully encapsulated with hot melt glue
7. Stem/Bonnet O-ring	EPDM rubber	17. Stud bolt & nut	Stainless Steel
8. Bonnet	Ductile Iron, grade 500-7 to AS 1831	18. Washer	Stainless Steel
9. Bonnet gasket	EPDM rubber	19. Bypass bend	Ductile Iron, grade 500-7 to AS 1831
10. Wedge nut	Dezincification resistant brass, CZ 132 to AS 2345	20. Bypass valve	DN100, refer to series 57/90 or 570/90

Components can be substituted with equivalent or higher class materials.

Reference nos. and dimensions

AVK ref. nos. CC	AVK ref. nos. ACC	DN mm	L mm	H mm	D mm	Dh mm	Dt mm	ds mm	Holes nos.	ød mm	A mm	A1 mm	g mm	Weight kg	Keyway mm
55-450-3405412161	55-450-3415412161	450	650	1130	640	584	530	26	12	40	1042	558	80	638	65x12
55-500-3405412161	55-500-3415412161	500	700	1130	715	641	585	26	16	40	1043	558	80	668	65x12
Refer to 55/80 Datasheet for DN600															