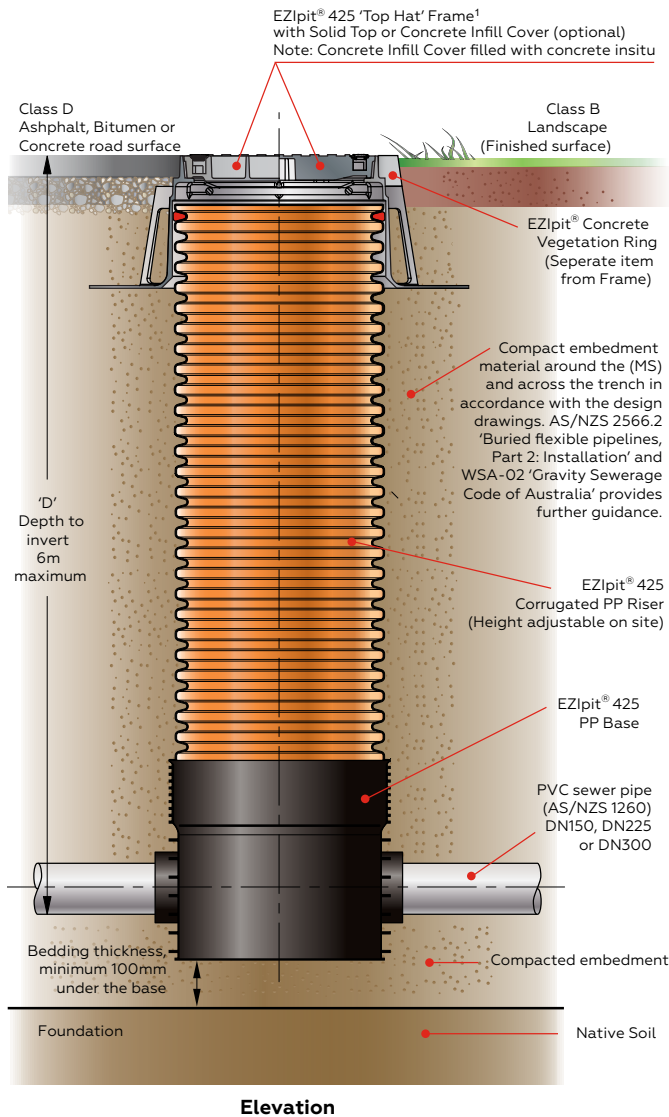


**EZIPIT®**

**INSTALLATION**

**OPTION 1 AND 2:**

**EZIpit® 425 Maintenance Shaft with 'Top Hat' cover arrangement Class B or D**

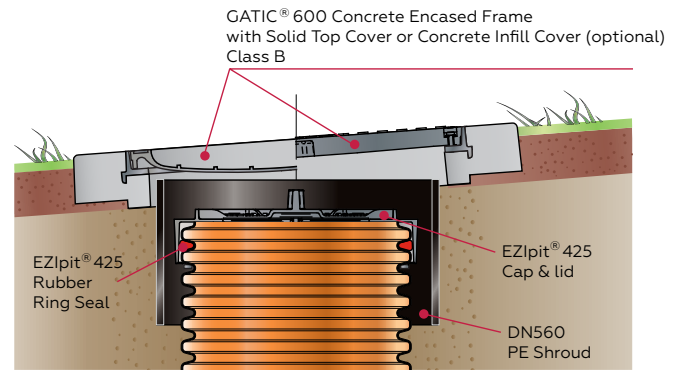


**Figure 1: Typical Installation EZIpit® 425 Maintenance Shaft (MS).**

*¹If specified, tilt 'Top Hat' cover to the required fall (Typically 1:50).  
Note: All images are of a general nature only and not to scale. If critical, contact Iplex Pipelines.*

**OPTION 3:**

**EZIpit® 425 Maintenance Shaft with GATIC® 600 concrete encased cover arrangement Class B (sloped surfaces)**



**Figure 2: EZIpit® 425 Cover arrangement (Sloped surfaces).**



*The information contained in this document should serve as a guide only and is subject to change without notice. For more information please contact Iplex Pipelines Australia Pty Ltd.*



**EZIPIT®**

**INSTALLATION**

**01** Level the bottom of the trench with a suitable bedding material with a minimum thickness of 100mm. **(Note: The trench level for the base is lower than the level for the pipe).**



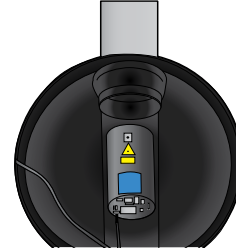
**02** Position the base on the bedding material with a spirit level. Apply Iplex pipe seal lubricant to the pipe spigot and base socket seal for ease of assembly. Connect the base to the pipe by pushing it onto the pipe spigot end.



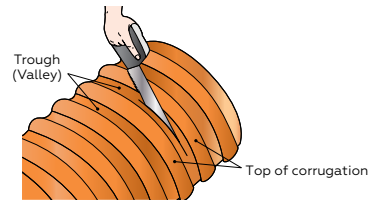
**03** Adjust the pipes to the required position. The adjustable pipe connector enables an angular deflection of 7.5° from the centre line in all directions.



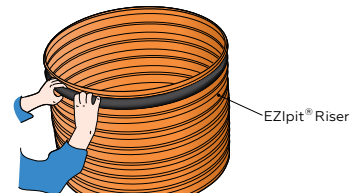
**04** Place the laser inside the base to check the level.



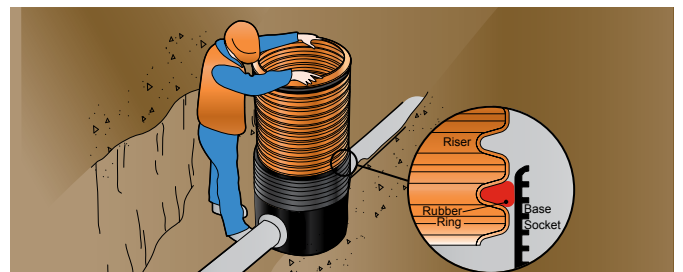
**05** Cut the riser to the required length (Refer to 'field height adjustment'). This is easily performed with a circular saw or handsaw. Cut at the top of the corrugation or in the valley. Remove swarf.



**06** Assemble the sealing rings in the 1st valley at each end of the riser. Ensure the sealing ring is sitting correctly in the valley of the corrugation.



**07** Assemble the sealing rings in the 1st valley at each end of the riser. Ensure the sealing ring is sitting correctly in the valley of the corrugation.



For cover selection and assembly options refer to the following pages.

Note: All images are of a general nature only and not to scale. If critical, contact Iplex Pipelines.

The information contained in this document should serve as a guide only and is subject to change without notice. For more information please contact Iplex Pipelines Australia Pty Ltd.



**INSTALLATION**

**COVER SELECTION AND ASSEMBLY (GENERAL)**

**Class B cover arrangements  
(Non Trafficable Conditions)**

- Private properties
- Domestic driveways
- Footpaths
- Nature strips

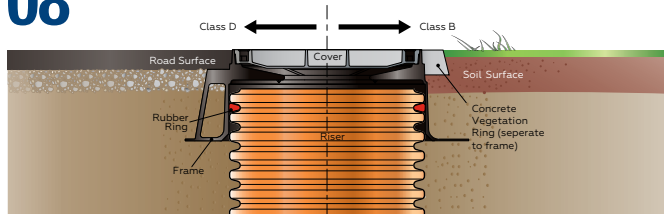
**Class D cover arrangements  
(Trafficable Conditions)**

- Roadways
- Carparks
- Commercial / Industrial driveways
- Parklands, Reserves
- School grounds

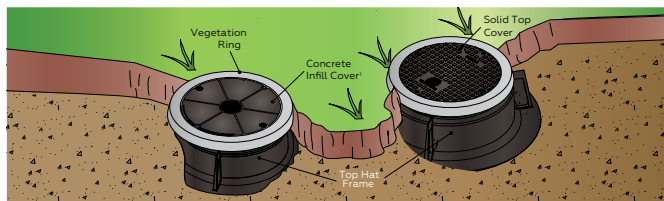
After assembling the EZIpit® 425 base and riser, (Section 3.1.1 Steps 01 to 07) select the appropriate cover as specified and install as follows:

**OPTION 1 AND 2:**

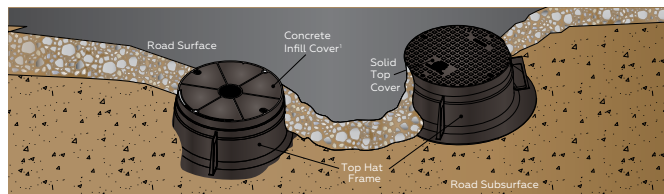
**08 EZIpit® 425 MS with 'Top Hat' cover Class B or D<sup>1</sup>**



**09 Class B 'Top Hat' Cover with Vegetation Ring**  
Finish off with soil as specified, to the finished surface level.



**10 Class D 'Top Hat' Cover**  
Finish off with a top layer as specified to road surface.



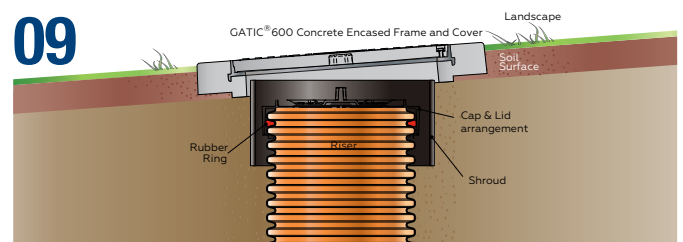
**OPTION 3:**

**EZIpit® 425 MS with GATIC® 600 concrete encased frame and cover Class B (Sloped surfaces)**

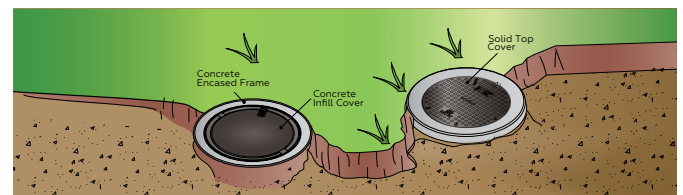
**08** Apply Iplex pipe seal lubricant to the inside of the cap for ease of assembly. Place the EZIpit® cap on top of the riser. Push the cap down past the rubber ring. Remove the lid from the cap and apply Gatic sealing compound liberally to all vertical and horizontal seating surfaces of the lid and assemble on the cap.



**09**



**10** Finish off with soil as specified, to the finished surface level.



Note: Concrete Infill or Solid Top covers are optional and can be specified in accordance with local requirements. <sup>1</sup>Top Hat' infill covers are concrete encased insitu.

**CONCRETE INFILL AND CURING**

With the exception of solid top covers, all 'Top Hat' covers must be filled with structural grade concrete. Refer to AS 3996 for additional information. This is essential if the full strength potential of these covers is to be realised. Concrete infill must be poured and allowed to cure with covers installed in the frame. Refer to GATIC® Product Catalogue, 'Access covers, grates and accessories for installation guidelines'.

The information contained in this document should serve as a guide only and is subject to change without notice. For more information please contact Iplex Pipelines Australia Pty Ltd.



# EZIPIT®

## INSTALLATION

### EZIPIT® 425 FIELD HEIGHT ADJUSTMENT

The length of the corrugated riser 'L' can be calculated using the following formulae and critical dimensions.

#### OPTION 1 AND 2:

EZIPit® 425 MS with 'Top Hat' Cover Arrangement Class B or D

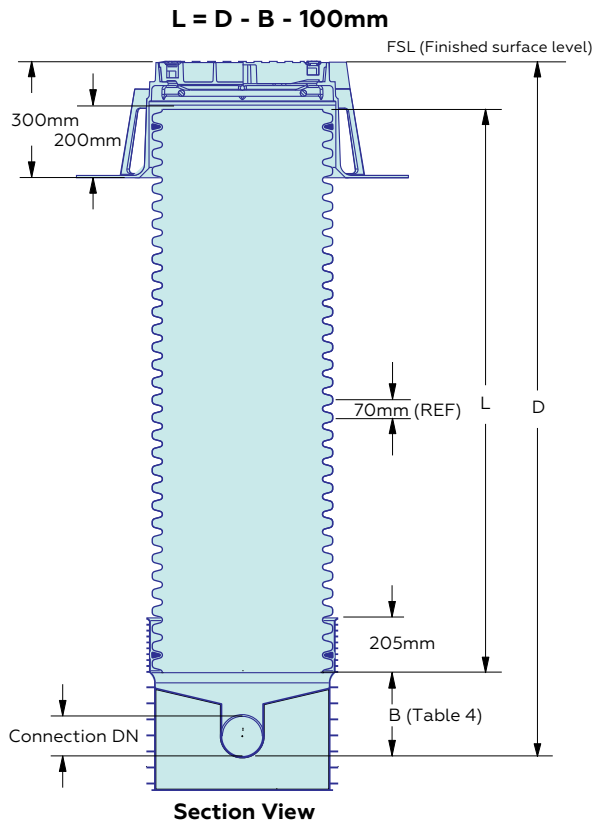


Figure 3

#### OPTION 3:

EZIPit® 425 MS with GATIC® 600 Concrete Encased Frame and Cover (Sloped surfaces) Class B

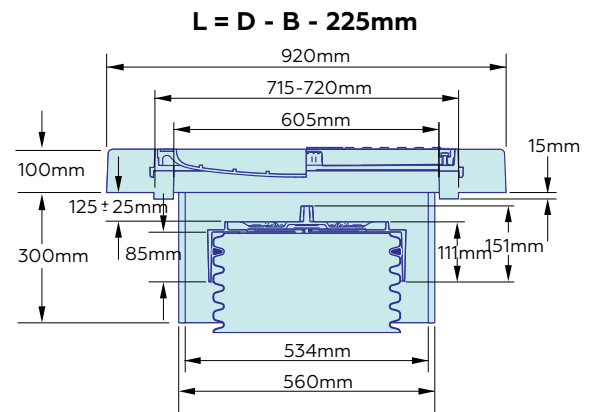
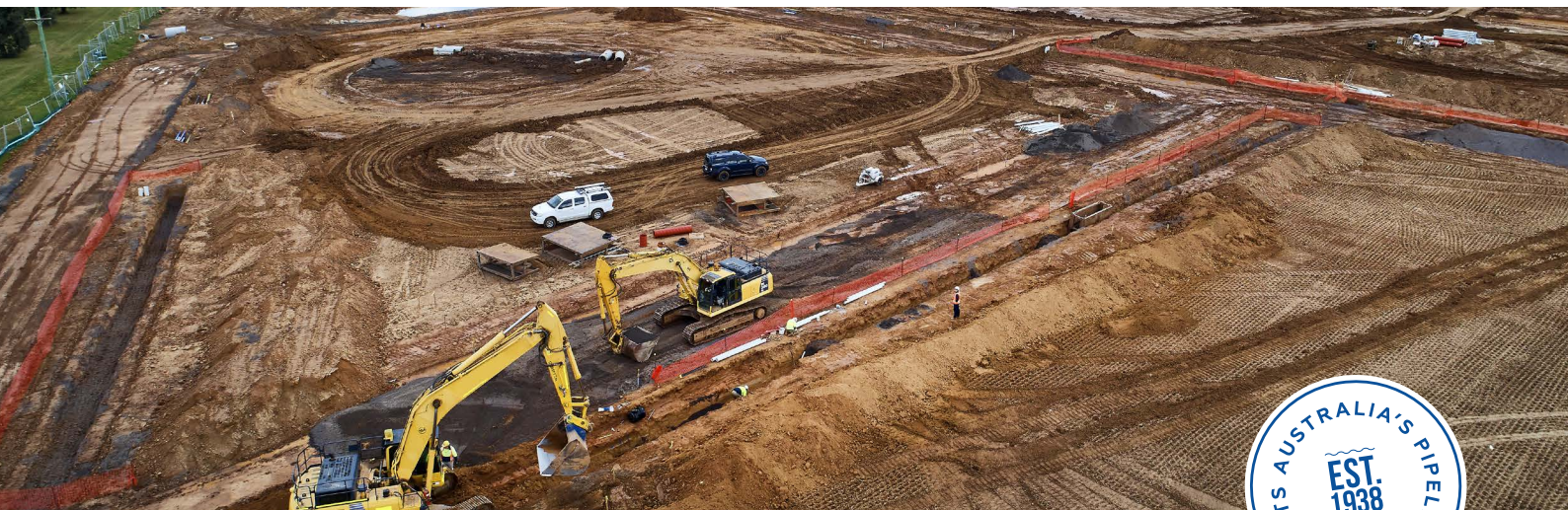


Figure 4

TABLE 1: EZIPIT® 425 BASE DIMENSIONS

Connection (DN)	Base Height B (mm)
DN150	320
DN225	326

<sup>1</sup> If specified, tilt 'Top Hat' cover to the required fall (Typically 1:50).  
 Note: All images are of a general nature only and not to scale.  
 If critical, contact Iplex Pipelines.



**INSTALLATION**

**EZIPIT® SHAFT OR CHAMBER INFLOW FIELD HEIGHT ADJUSTMENT (CONNECTION VIA CORRUGATED RISER)**

**EZIPit® 425 Sewer Maintenance Shaft Assembly with Riser Junction (Branch Connection)**

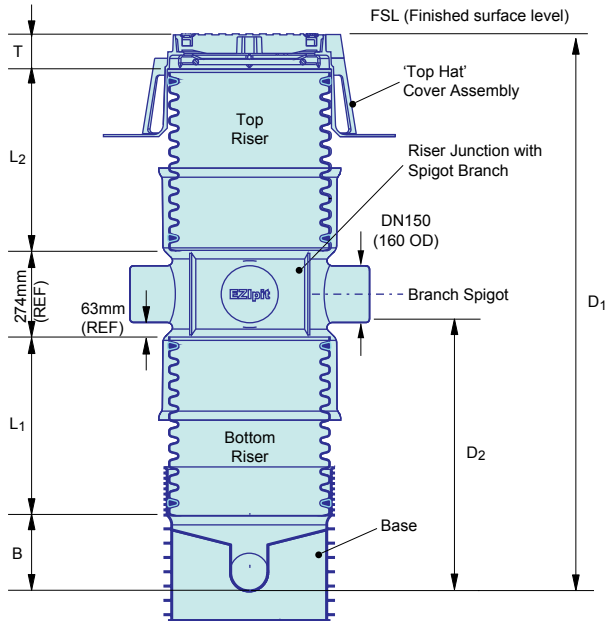


Figure 5 Section View

**Guidelines for Assembly:**

- a) Determine the depth to invert from the surface to the base (D1) and the Branch Spigot (D2)
- b) Determine the height of the Base (B). (Ref Table 4)
- c) Determine the length of the Bottom Riser (L<sub>1</sub>)  
**L<sub>1</sub> = D<sub>2</sub> - B - 34mm**
- d) Determine length of the Top Riser (L<sub>2</sub>)  
**L<sub>2</sub> = D<sub>1</sub> - B - L<sub>1</sub> - 228mm - T**
- e) Cut the Bottom and Top Risers to length. Step **05**
- f) Repeat Steps **06** and **07**
- g) Assemble Riser Junction on the Bottom Riser and push down
- h) Assemble the Top Riser on the Riser Junction and push the Riser down into the socket
- i) Assemble the cover assembly on the Top Riser. **08, 09** and **10** (Section 3.1.2)



Note: All images are of a general nature only and not to scale. If critical, contact Iplex Pipelines.

**EZIPit® 600 Sewer Maintenance Chamber Assembly with Riser Junction (Branch Connection)**

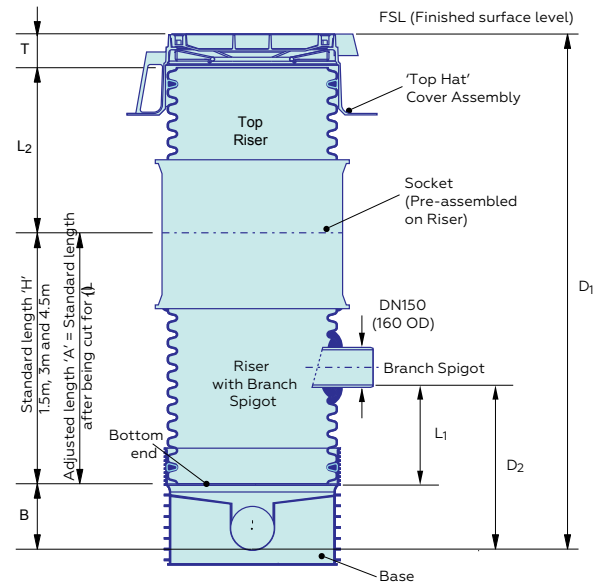


Figure 6 Section View

**Guidelines for Assembly:**

- a) Determine depth to invert from the surface to the Base (D1) and the invert of the Branch Spigot (D2)
- b) Determine the height of the Base (B). (Ref Table 5)
- c) Determine the length (L<sub>1</sub>)  
**L<sub>1</sub> = D<sub>2</sub> - B**
- d) Cut the corrugated riser with Branch Spigot from the bottom end to length (L<sub>1</sub>). Step **05**
- e) Determine adjusted length 'A'  
**A = L<sub>1</sub> + 600mm**
- f) Determine length of the Top Riser (L<sub>2</sub>)  
**L<sub>2</sub> = D<sub>1</sub> - B - A - T**
- g) Cut the residual piece to length for the Top Riser. Step **05**
- h) Assemble the sealing ring on the bottom corrugation of the riser only
- i) Assemble the corrugated riser with Branch Spigot on the Base and push down
- j) Assemble the sealing ring **06** on the bottom corrugation of the Top Riser and push the Top Riser down into the socket
- k) Assemble the cover assembly on the Top Riser. **08, 09** and **10**



The information contained in this document should serve as a guide only and is subject to change without notice. For more information please contact Iplex Pipelines Australia Pty Ltd.

